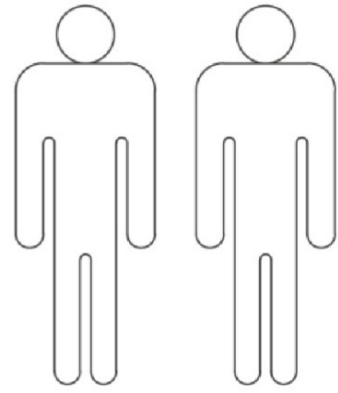
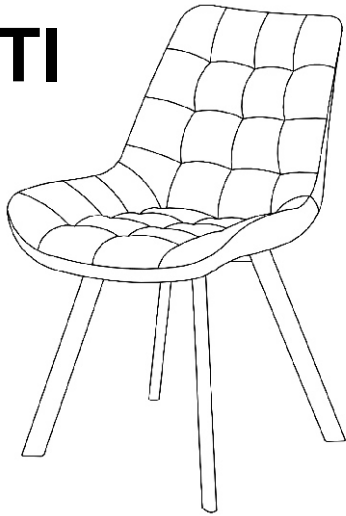
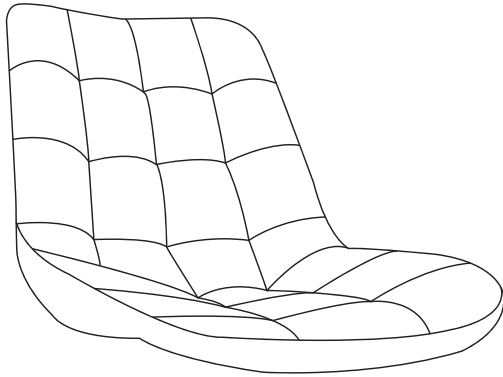


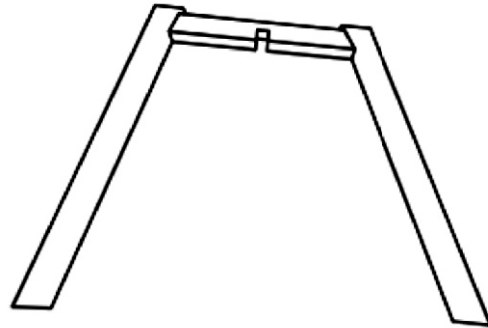
# MONTI



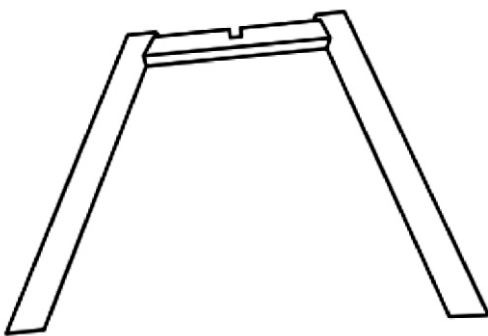
1



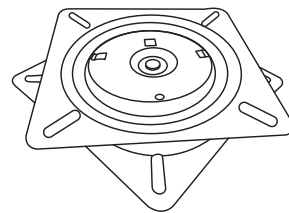
2



3

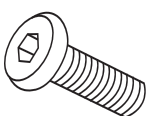


4



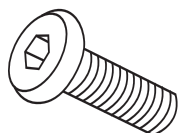
1	1x
2	1x
3	1x
4	1x

A x8



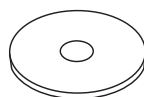
M6X13

B x4



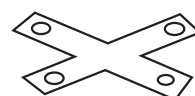
M6X16

C x8



18X6X1.5MM

D x1



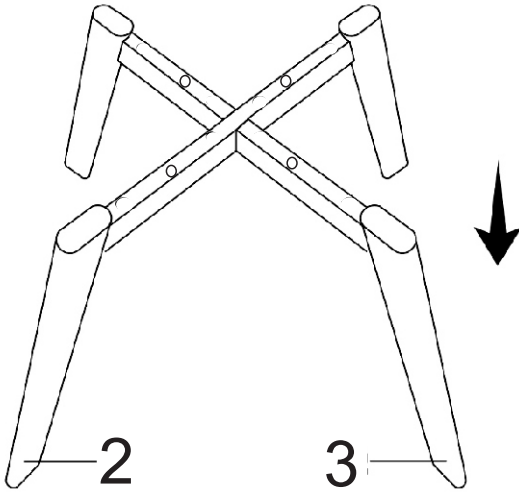
T3x95x15x75MM

E x1

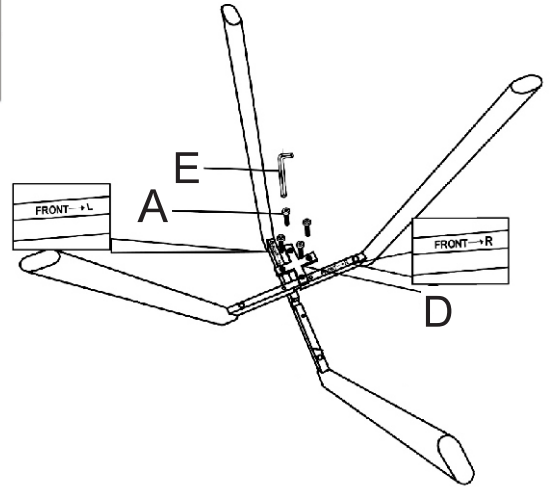


M5

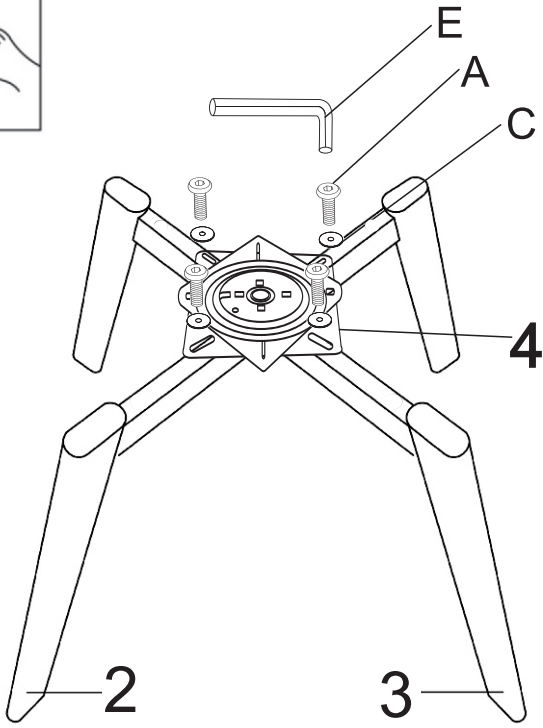
1



2



3



4

