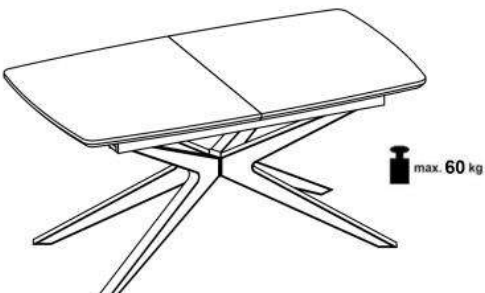
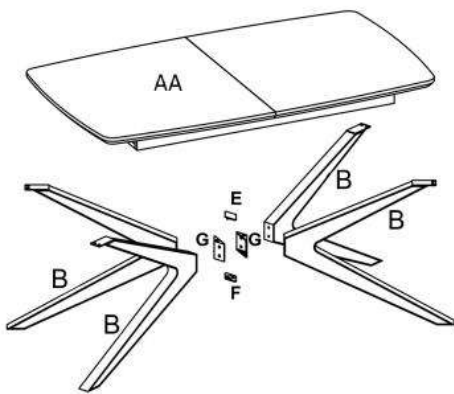












# JAMES



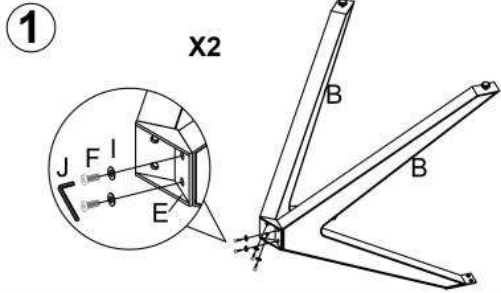
max. 60 kg

v.1



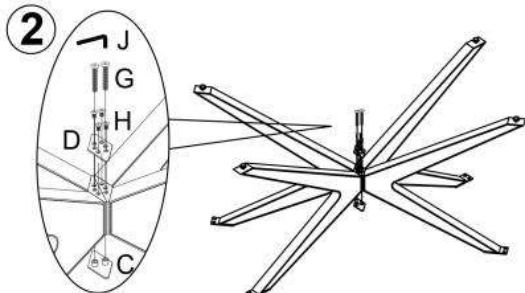
|   |   |   |   |   |    |   |   |         |    |
|---|---|---|---|---|----|---|---|---------|----|
| A |  | 1 | E |  | 2  | I |  | M8*18mm | 16 |
| B |  | 4 | F |  | 16 | J |  | M5      | 1  |
| C |  | 1 | G |  | 2  |   |   |         |    |
| D |  | 1 | H |  | 4  |   |   |         |    |

**1**

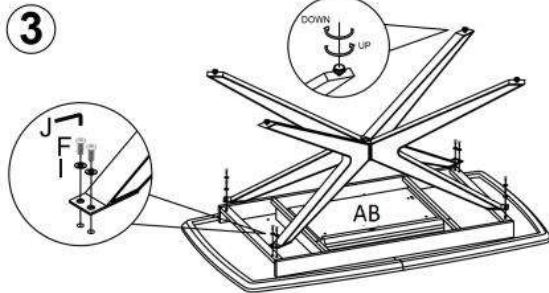


X2

**2**



**3**



1/2

