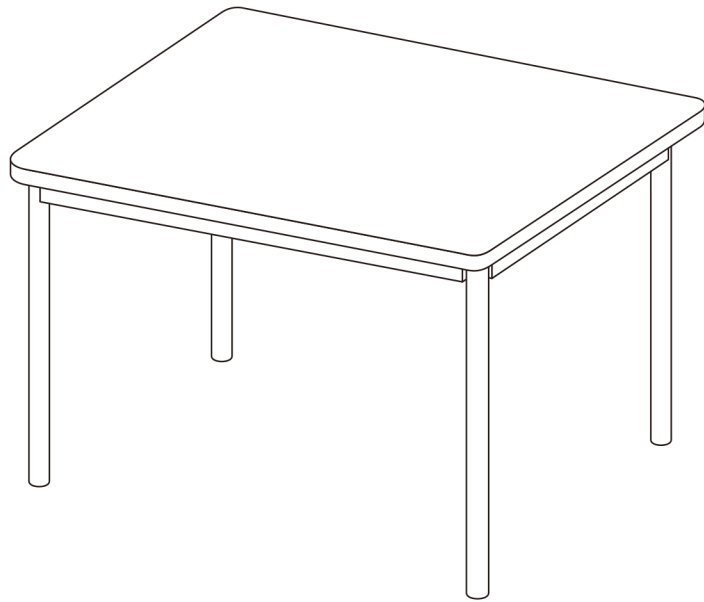


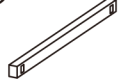









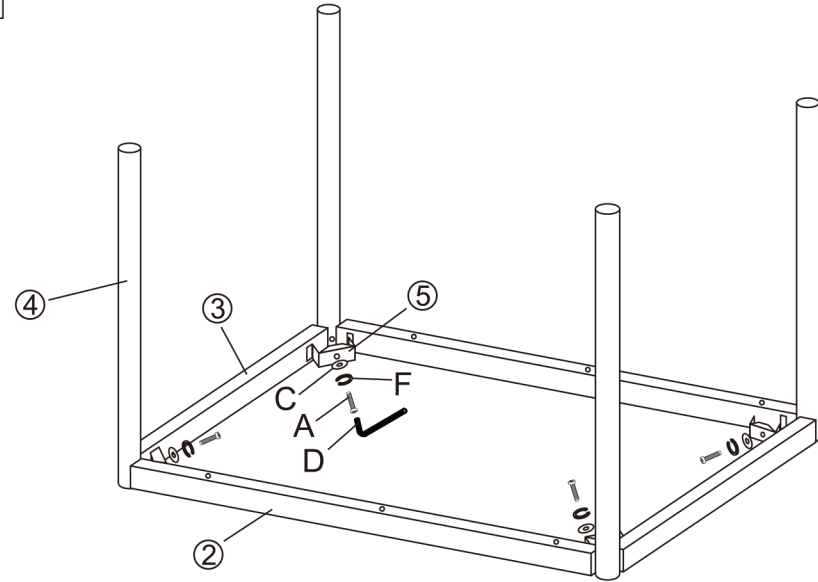


CITY



①  x1	②  x2	③  x2	④  x4
⑤  x4	A  x4	B  x6	C  x4
D  x1	E  x1	F  x4	G  x6

1



2

