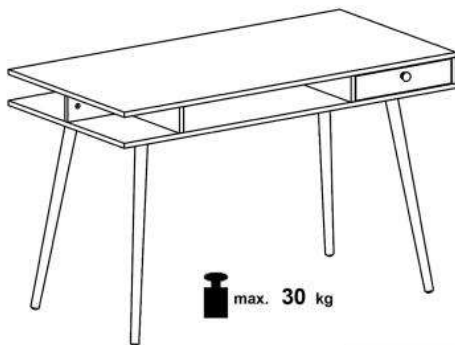


B-34 BIS

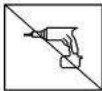


max. 30 kg

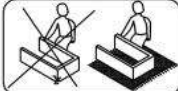
2 PERSONS



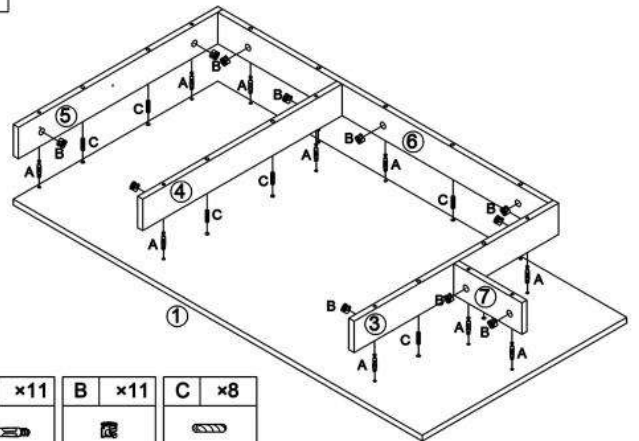
20min



Not provided

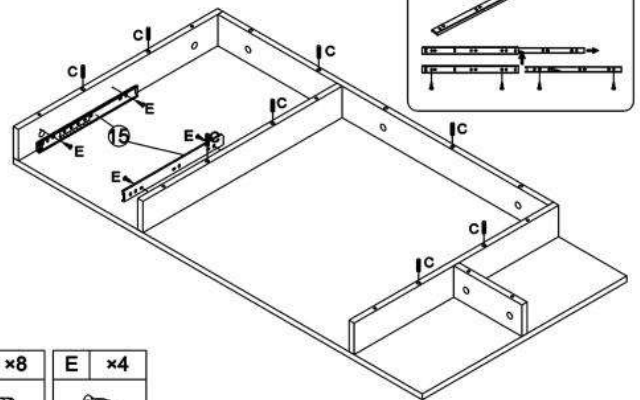


1



A ×11	B ×11	C ×8

2



C ×8	E ×4

A ×1	B ×1	C ×1	D ×1	E ×1	F ×1
G ×1	H ×1	I ×1	J ×1	K ×1	L ×1
M ×4	N ×4	O ×2	P ×1	A ×13	B ×13
C ×16 6×30mm	D ×11 7×40mm	E ×8 3.5×12mm	F ×4 4×35mm	G ×2 6×50mm	H ×16 6×25mm
J ×16 6×15mm	K ×1 4×18mm	L ×1	M ×4	N ×1	

HALMAR Sp. z o.o.

ul. Centralnego Okręgu Przemysłowego 2, 37-450 Stalowa Wola, POLSKA / POLAND
tel. +48 15 843 28 10, fax: +48 15 842 19 57, e-mail: office@halmar.com.pl

v.1

