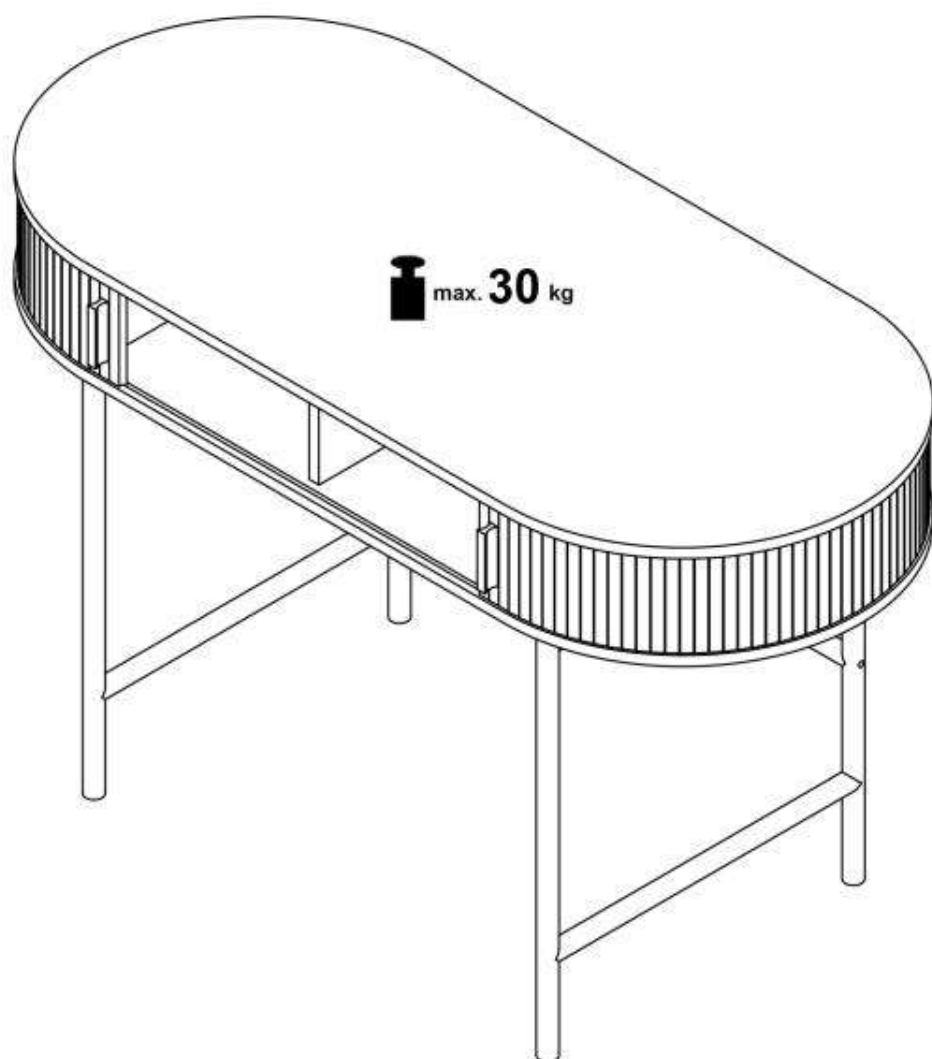
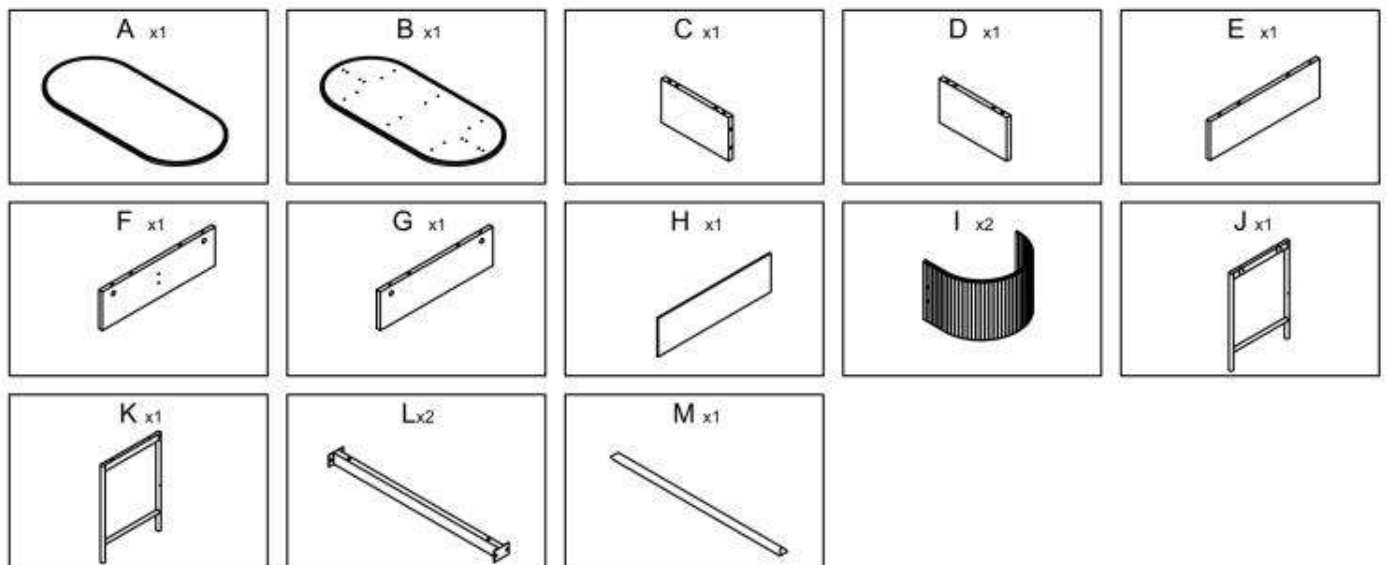
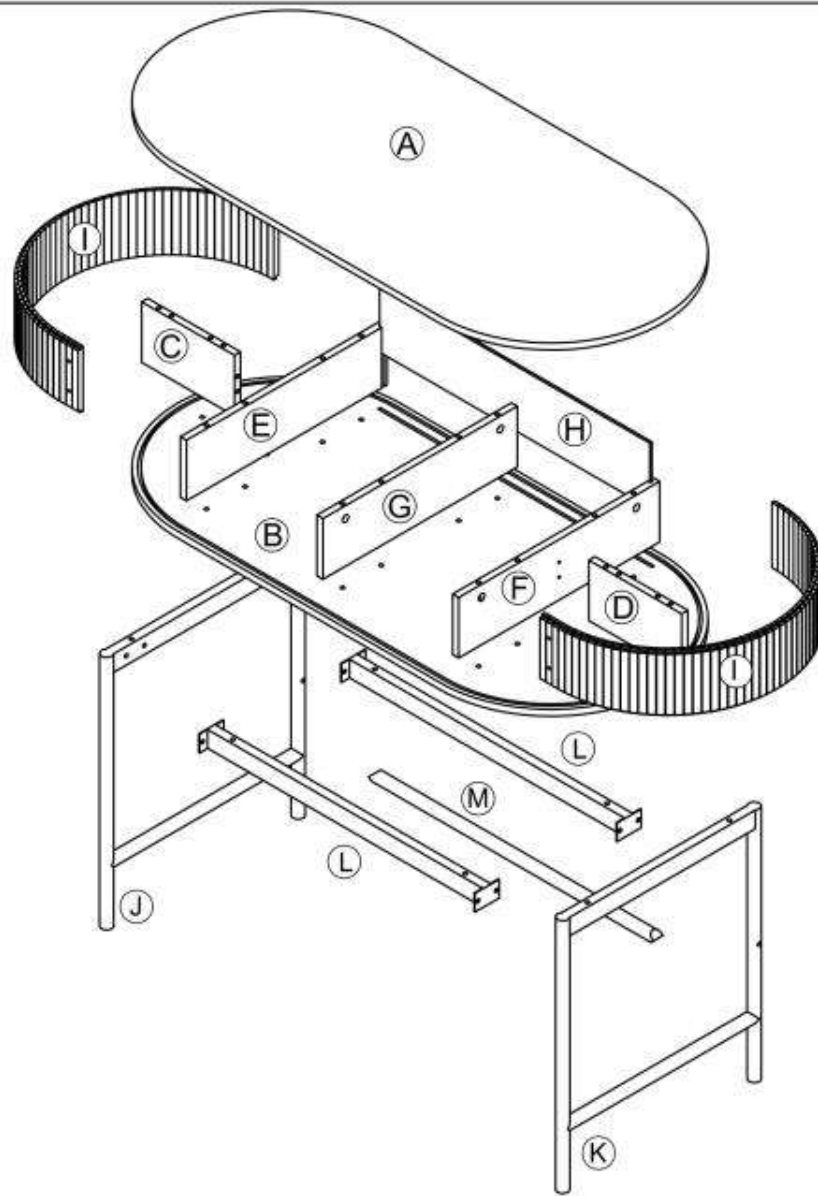






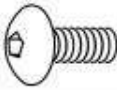
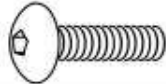

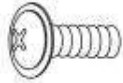
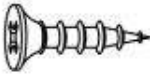



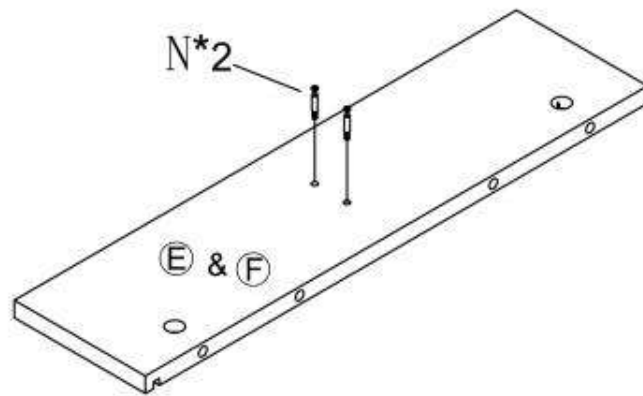
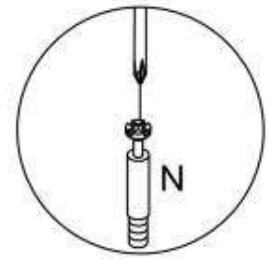
B-51





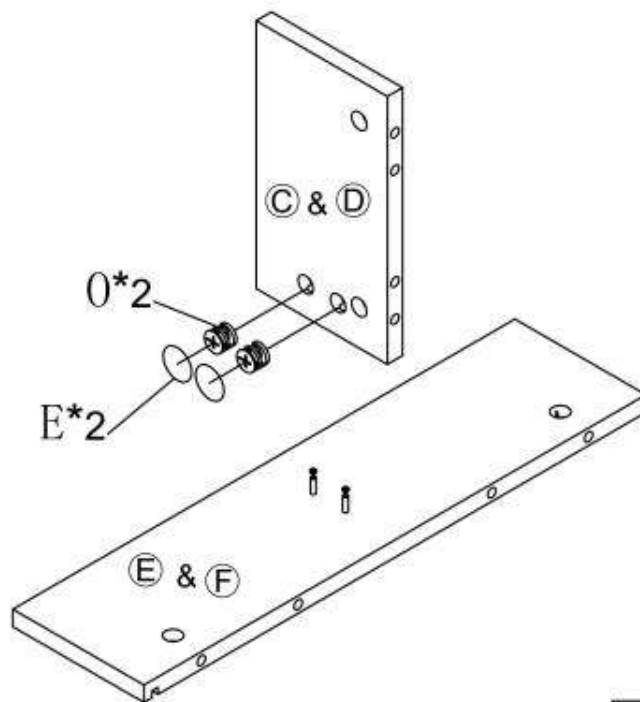
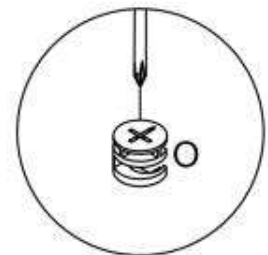
N	Ø6*35mm 	14	O	Ø15mm 	14
P	M7*50mm 	10	Q	Ø8*30mm 	20
R	Ø20mm 	14	S	M4 	1
T	M6*12mm 	8	U	M6*50mm 	10
V		2	W	M4*8mm 	4
X	Ø3.5*14mm 	6	Y		6

1:



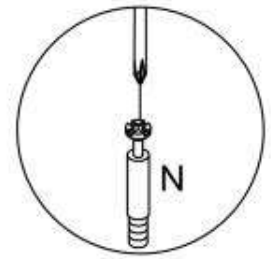
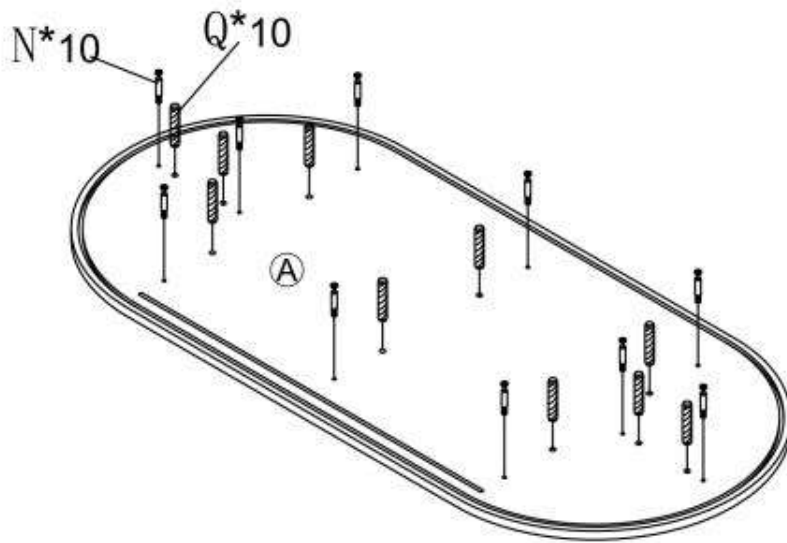
N	X4
M6*35mm	

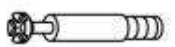

2:



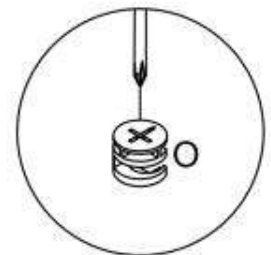
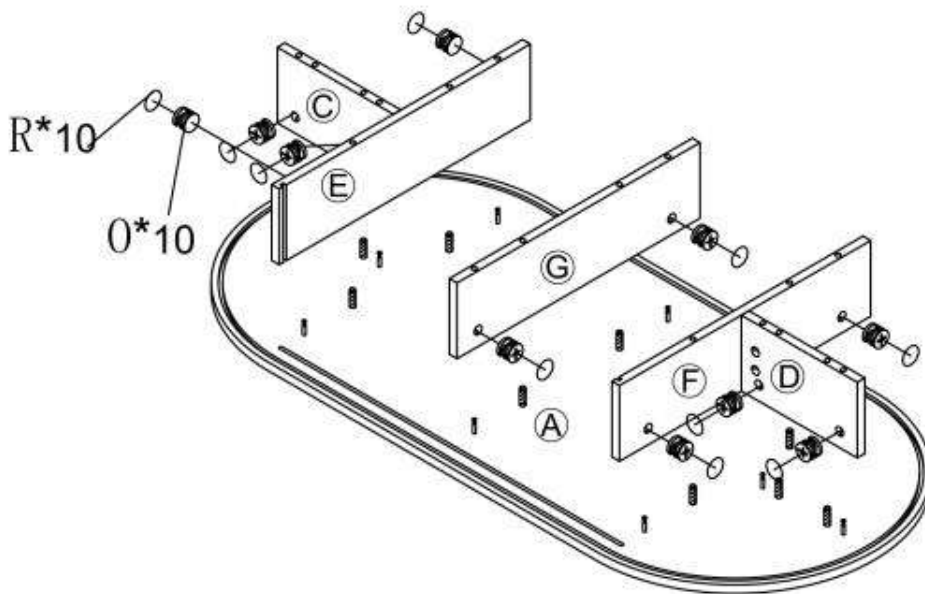
O	X4	R	X4
Ø15mm		Ø20mm	



3:



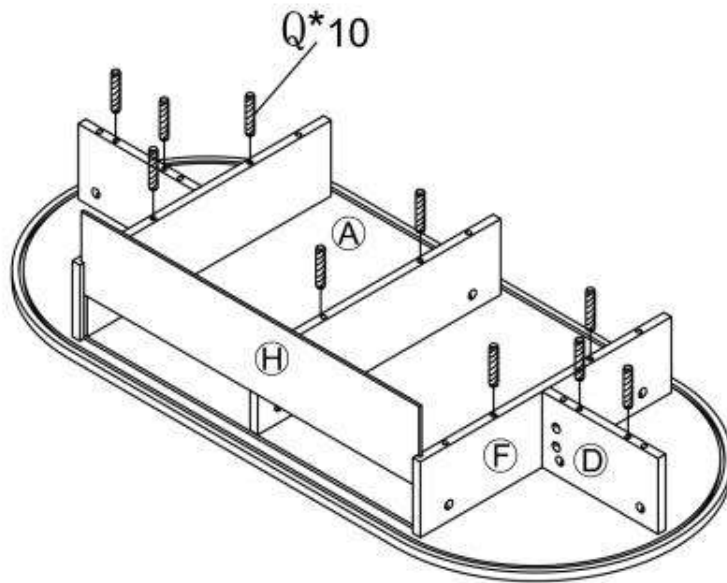
N	X10	Q	X10
			
M6*35mm		Ø8*30mm	


4:



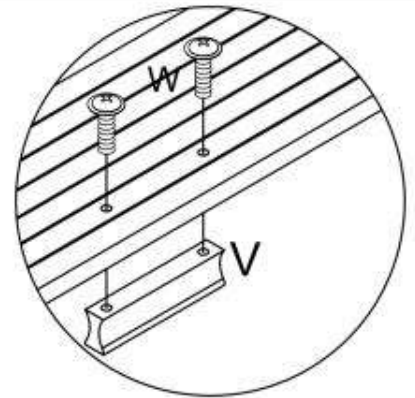
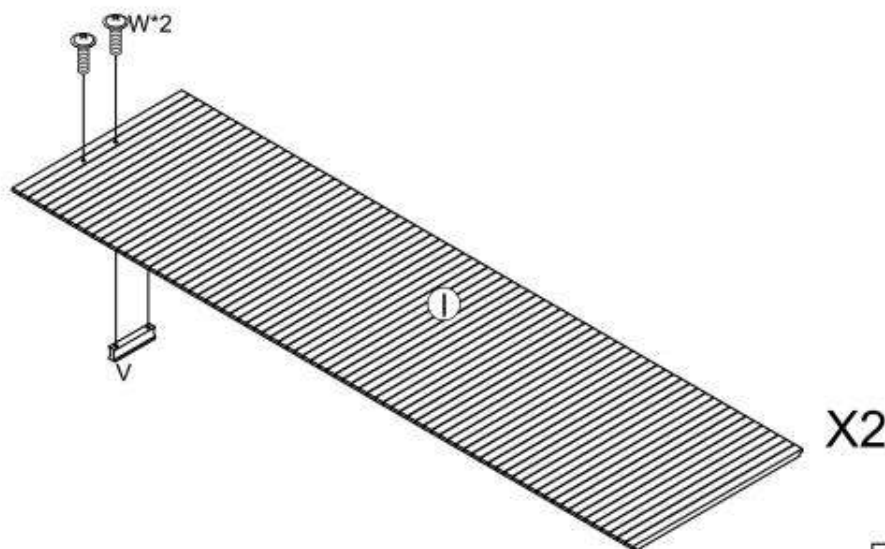
O	X10	E	X10
			
Ø15mm		Ø20mm	

5:


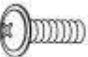


Q	X10
	
Ø8*30mm	

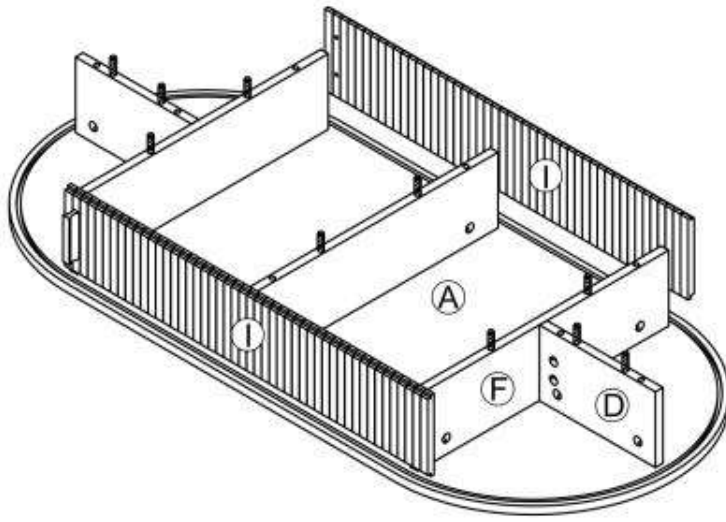
6:



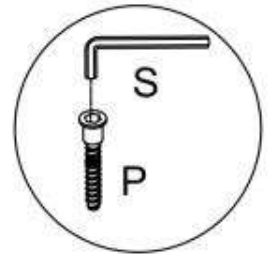
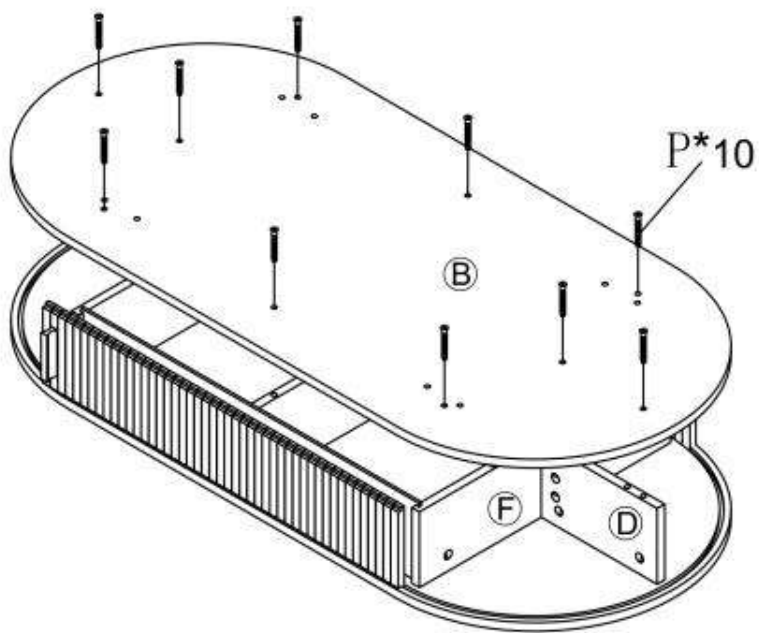
X2



V	X2	W	X4
			
		M4*8mm	

7:

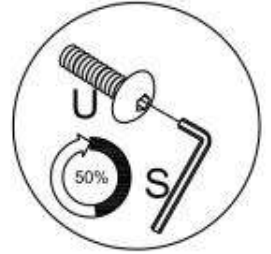
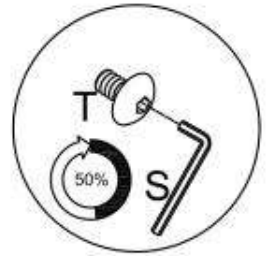
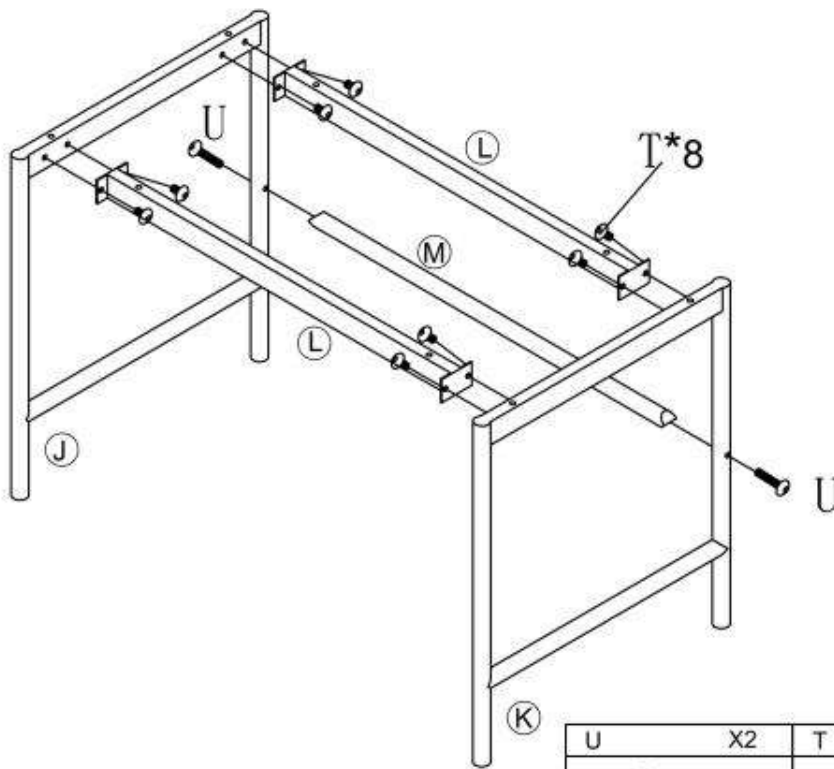



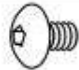

8:



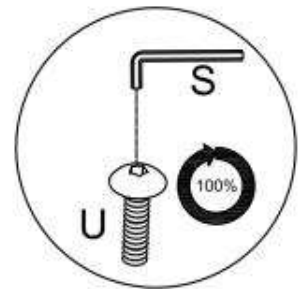
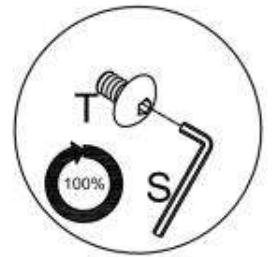
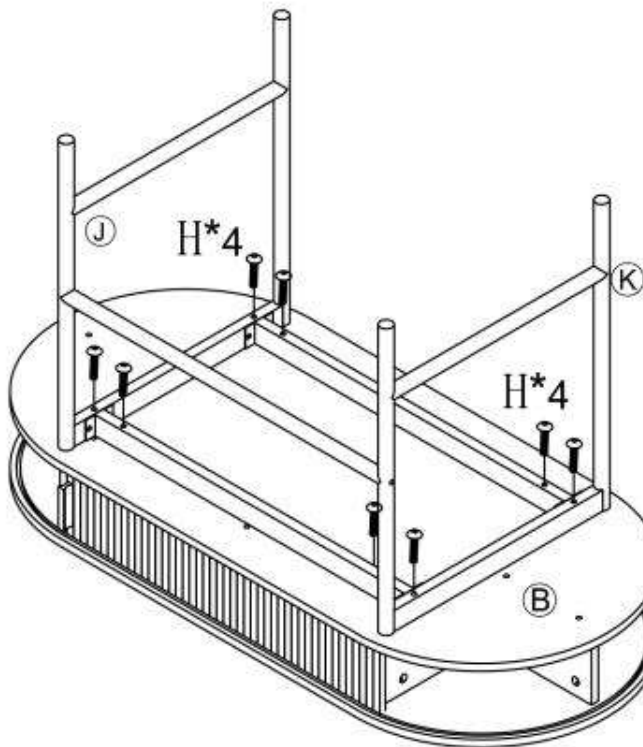
P	X10	S	X1
			
M7*50mm		M4	

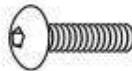

9:



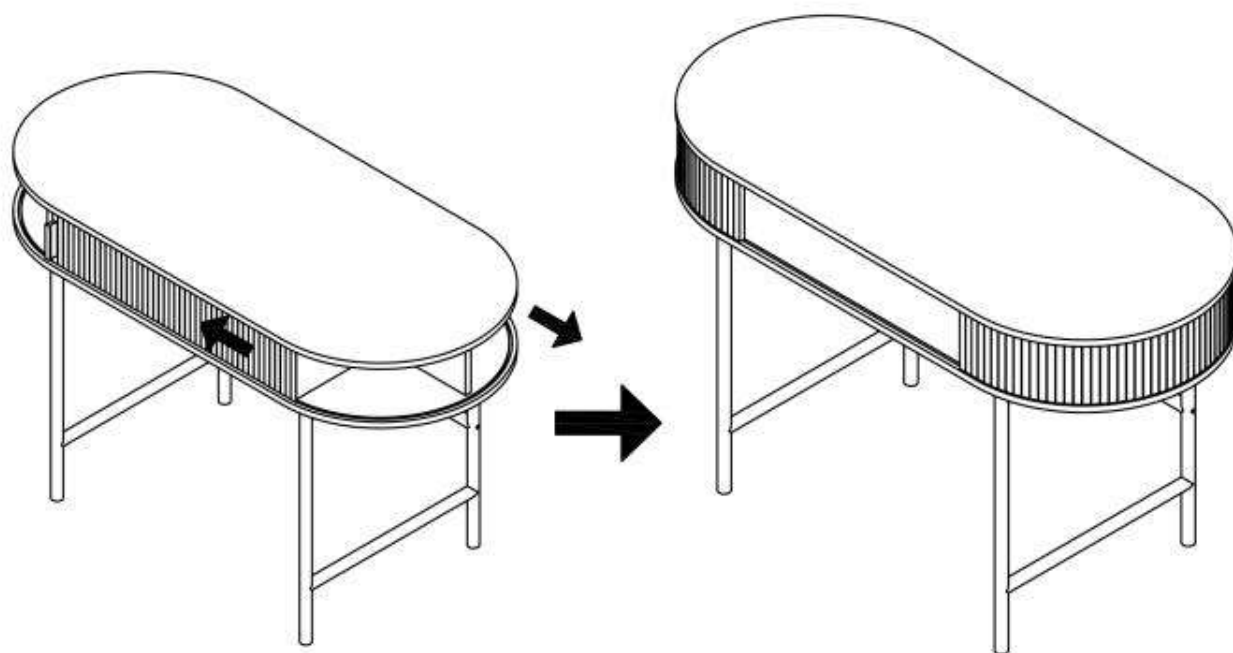
U	X2	T	X8	S	X1
					
M6*50mm		M6*12mm		M4	

10:

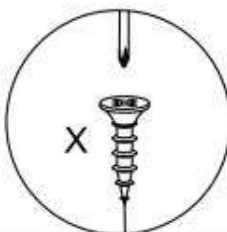
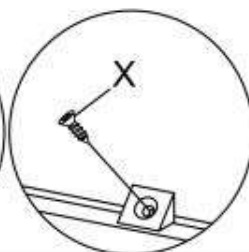
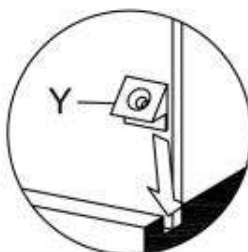
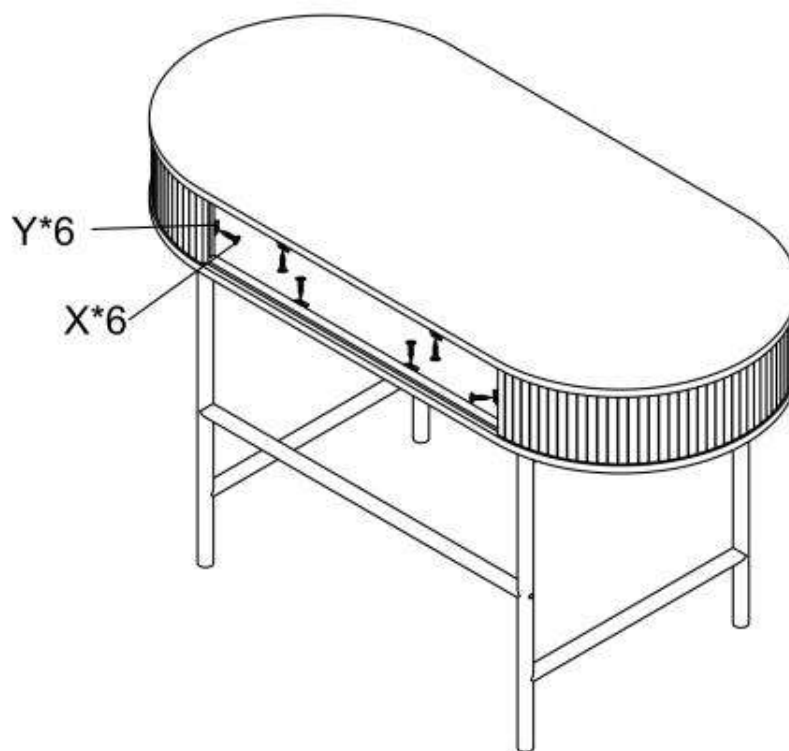


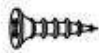

U	X8	S	X1
			
M6*50mm		M4	

11:



12:



X	X6	Y	X6
			
Ø3.5*14mm			