

GRACE 120 140 160

PARTS LIST

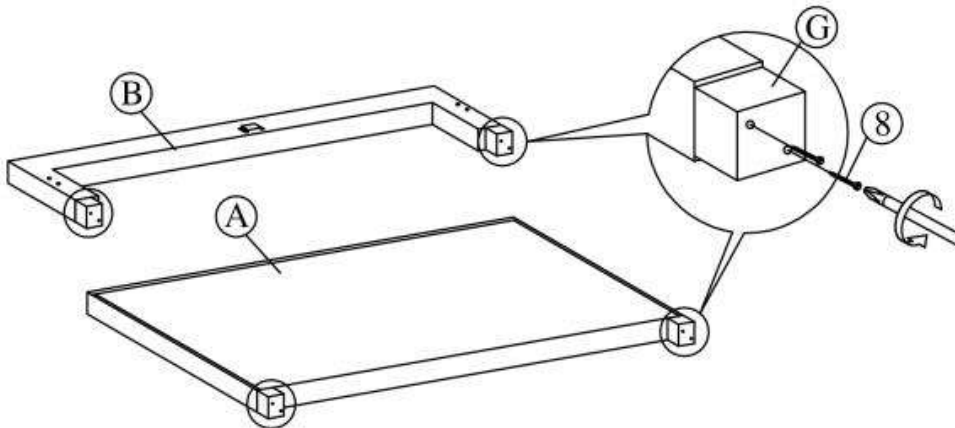
A (1 PC) 	B (1 PC) 	C (2 PCS) 	D (1 PC) 	E (2 PCS) 	F (4 PCS)
G (4 PCS) 	H (1 PC) (WITH LABEL 1) 	I (1 PC) (WITH LABEL 2) 	J (6 PCS) (WITH LABEL 3) 	K (1 PC) (WITH LABEL 4) 	L (2 PCS) (WITH LABEL 5)
M (2 PCS) (WITH LABEL 6) 	N (2 PCS) (WITH LABEL 7) 	O (7 PCS) (WITH LABEL 8) 	P (4 PCS) (WITH LABEL 9) 	Q (28 PCS) 	R (2 PCS)

HARDWARE LIST

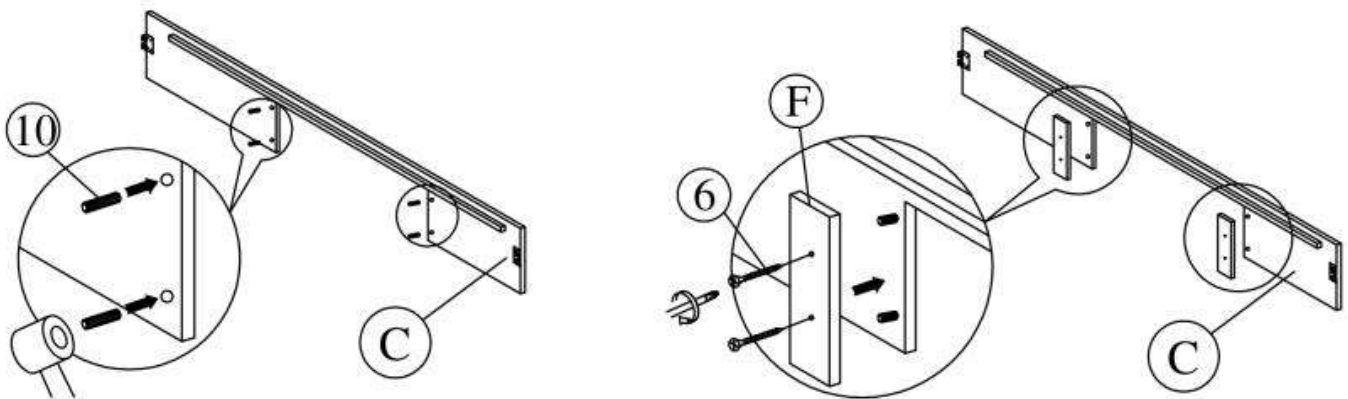
1 JCBC M6 X 40mm (2 PCS) S 	2 JCBB M8 x 20 mm (8PCS) T 	3 JCBC M6 X 60mm (4 PCS) U 	4 Flat Washers (8 PCS) V 	5 CSK M3,5 x 16mm (60 PCS) W
6 CSK M4 x 28mm (8 PCS) X 	7 CSK M4 x 32mm (38 PCS) Y 	8 CSK M4 x 50mm (32 PCS) Z 	9 ROLLER (14 PCS) Z1 	10 WOOD DOWEL 20MM (8 PCS) Z2
11 POWER NAIL 6/8 (24 PCS) Z3 	12 BIG ADJUSTER 35mm (2 PCS) Z4 	13 (6 PCS) Z5 	14 (14 PCS) Z6 	15 (28 PCS) Z7
16 M6 Hex Nut (4 PCS) Z8 				

GRACE 120

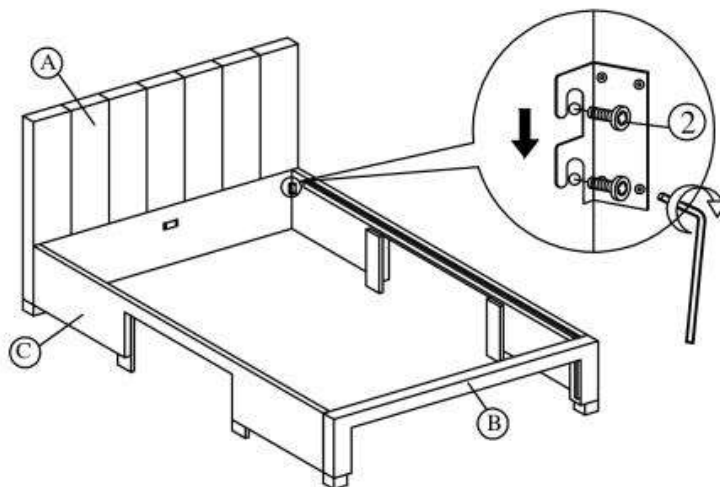
1



2

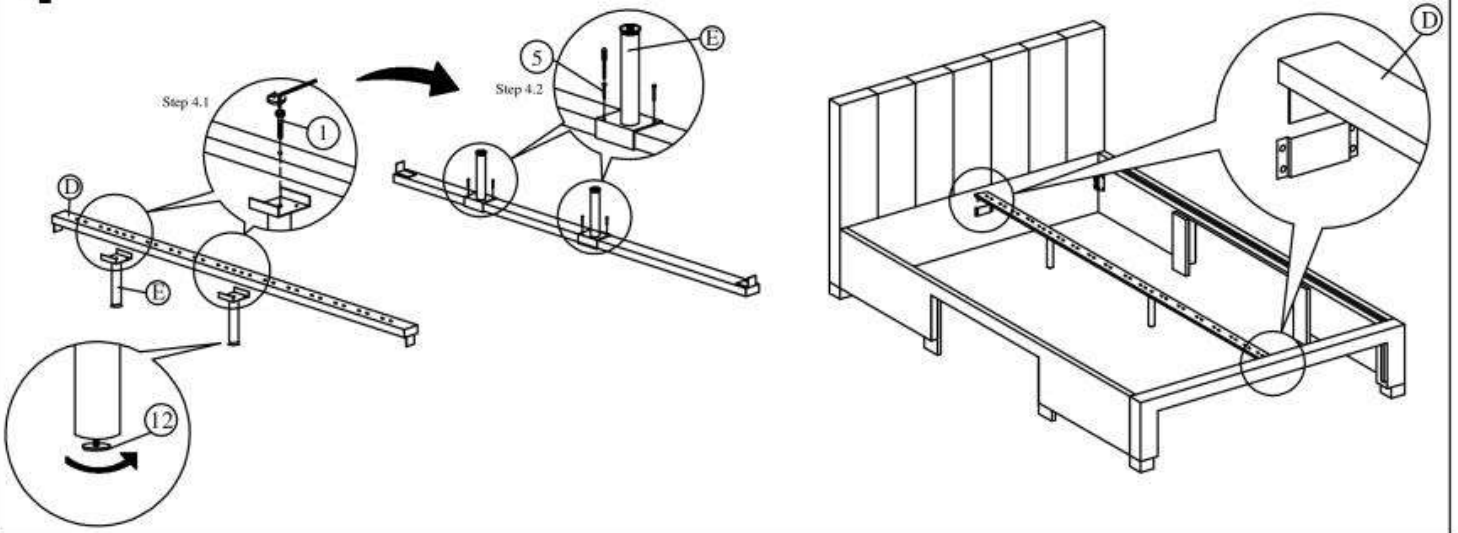


3

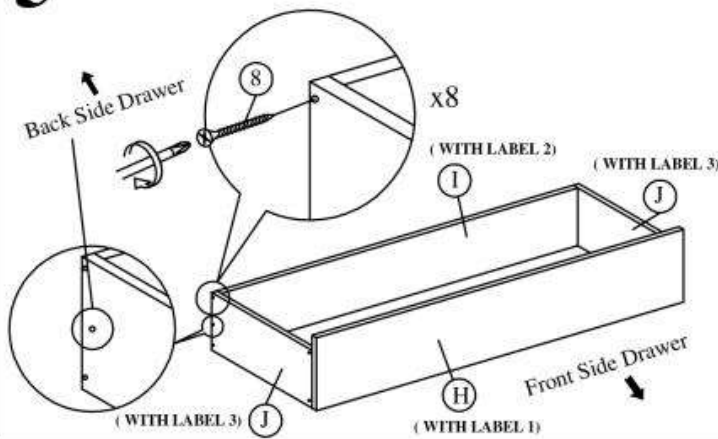


GRACE 120

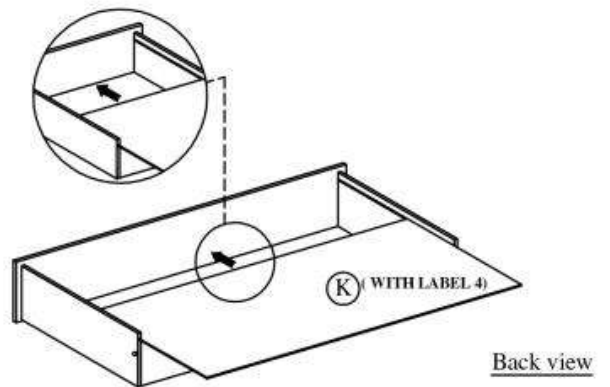
4



5

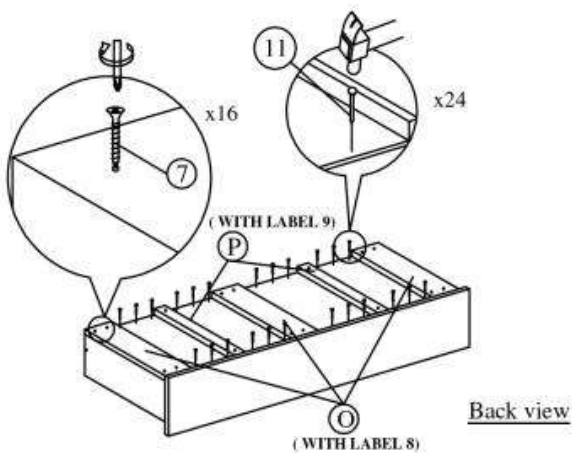


6



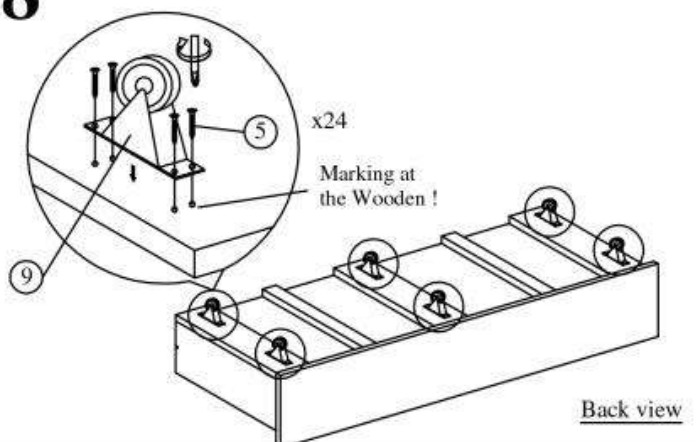
Back view

7



Back view

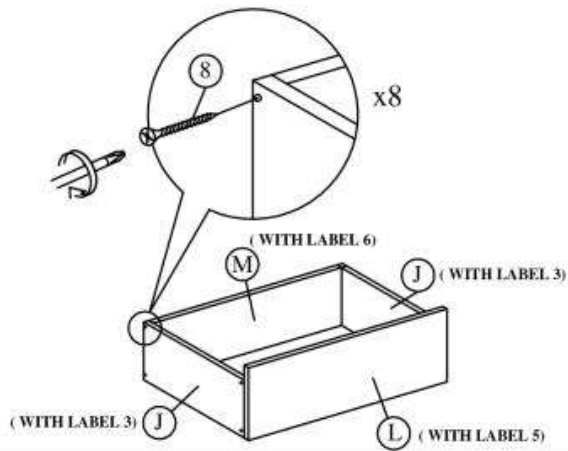
8



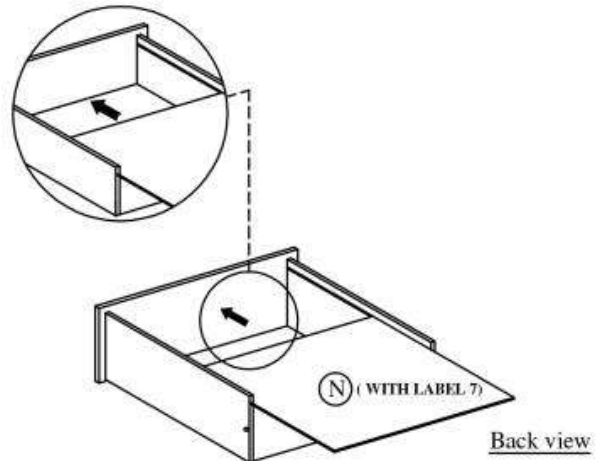
Back view

GRACE 120

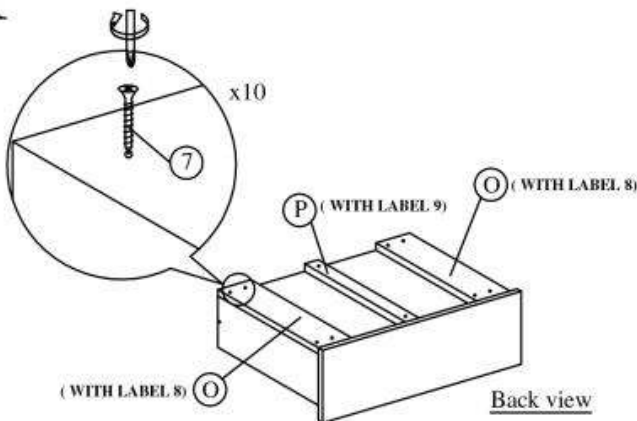
9



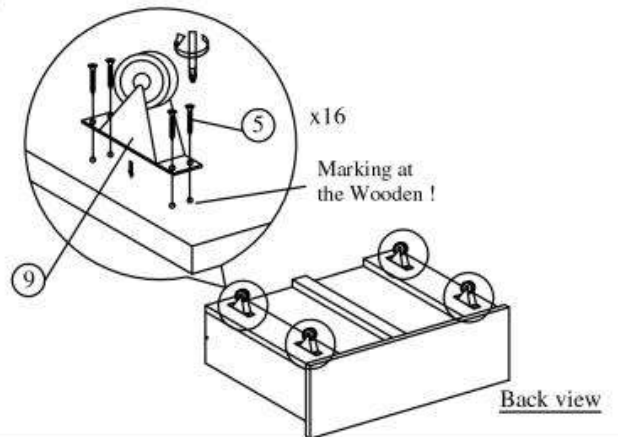
10



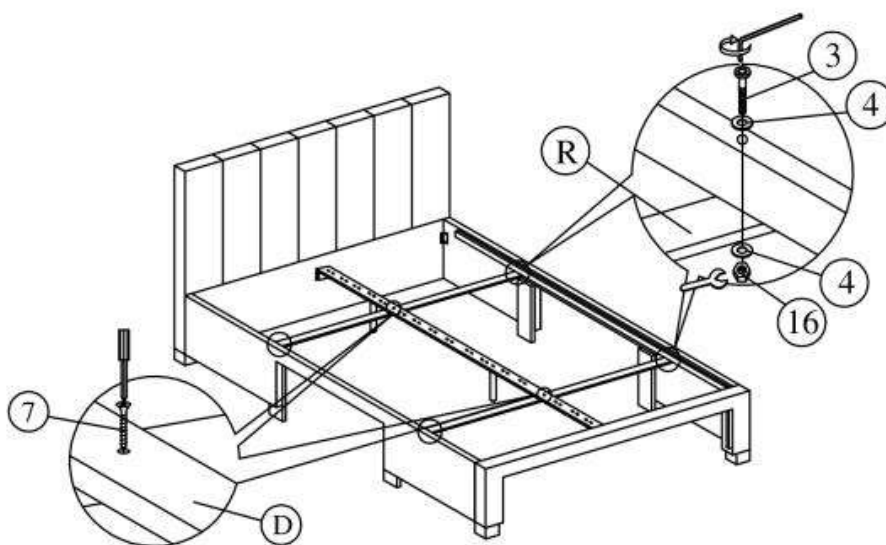
11



12



13



GRACE 120

14

 max. 200 kg

